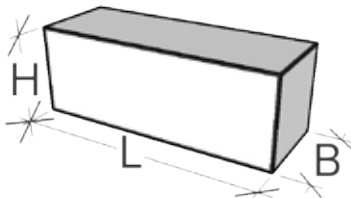
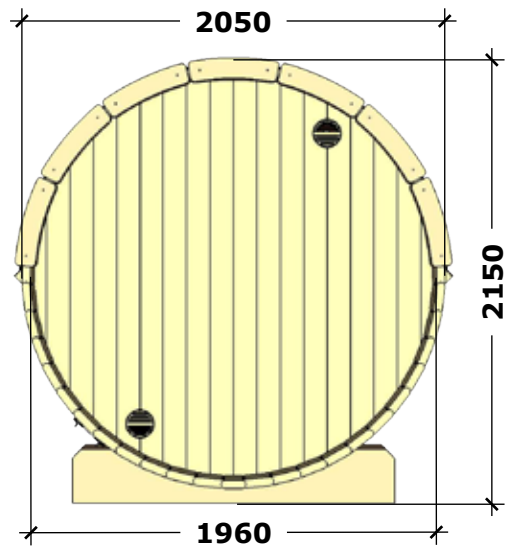
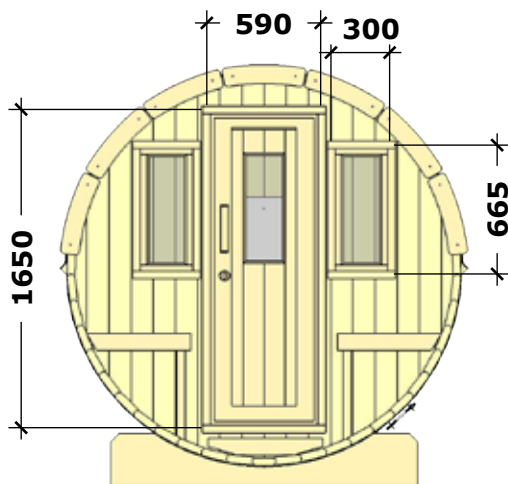
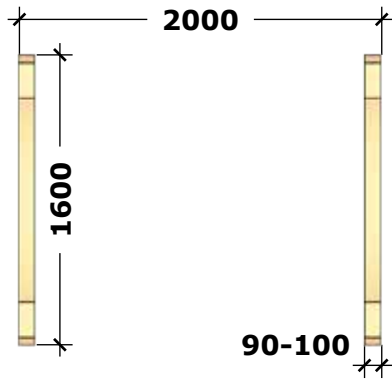


Fundamentplan 310 500



(LxBxH) 251x120x120 cm.

700 kg.

